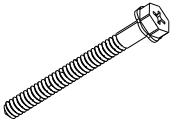
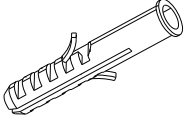
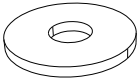

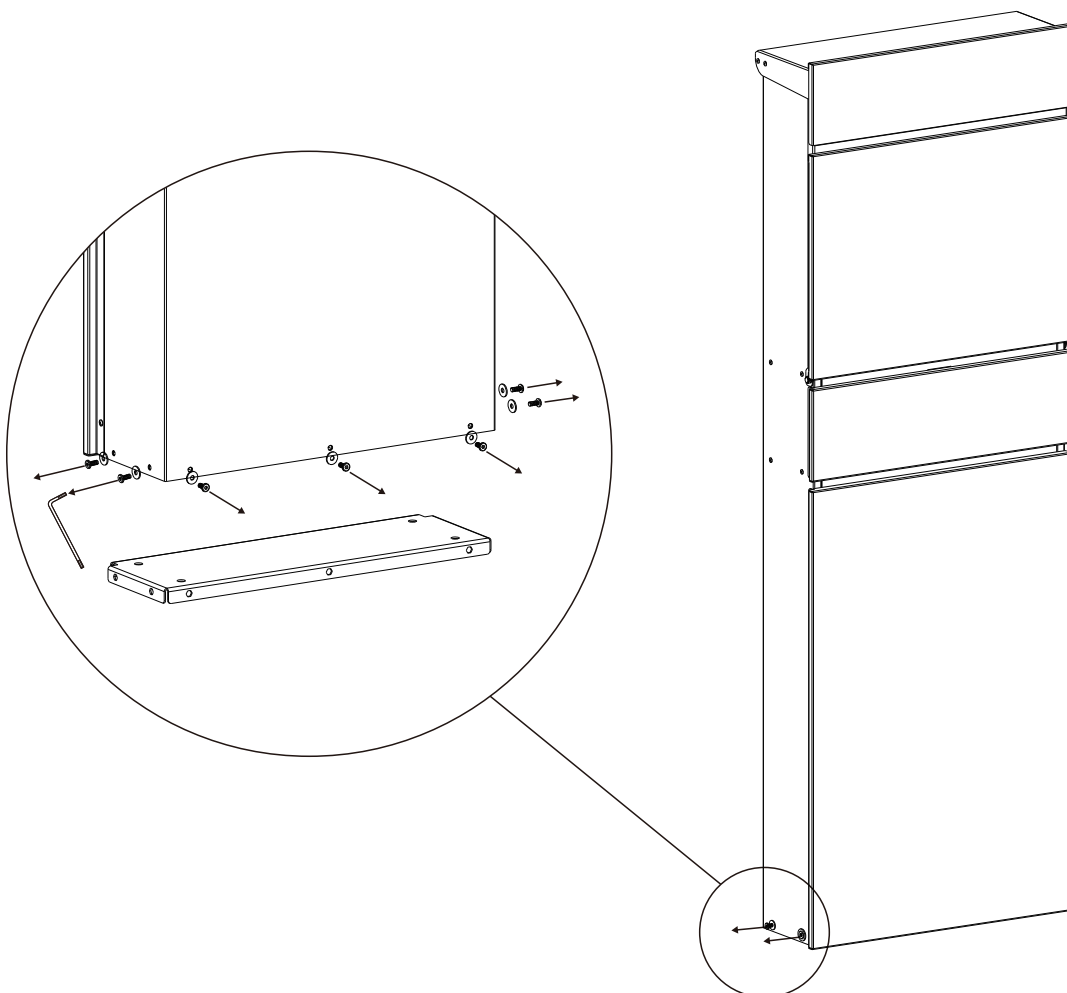


Materials

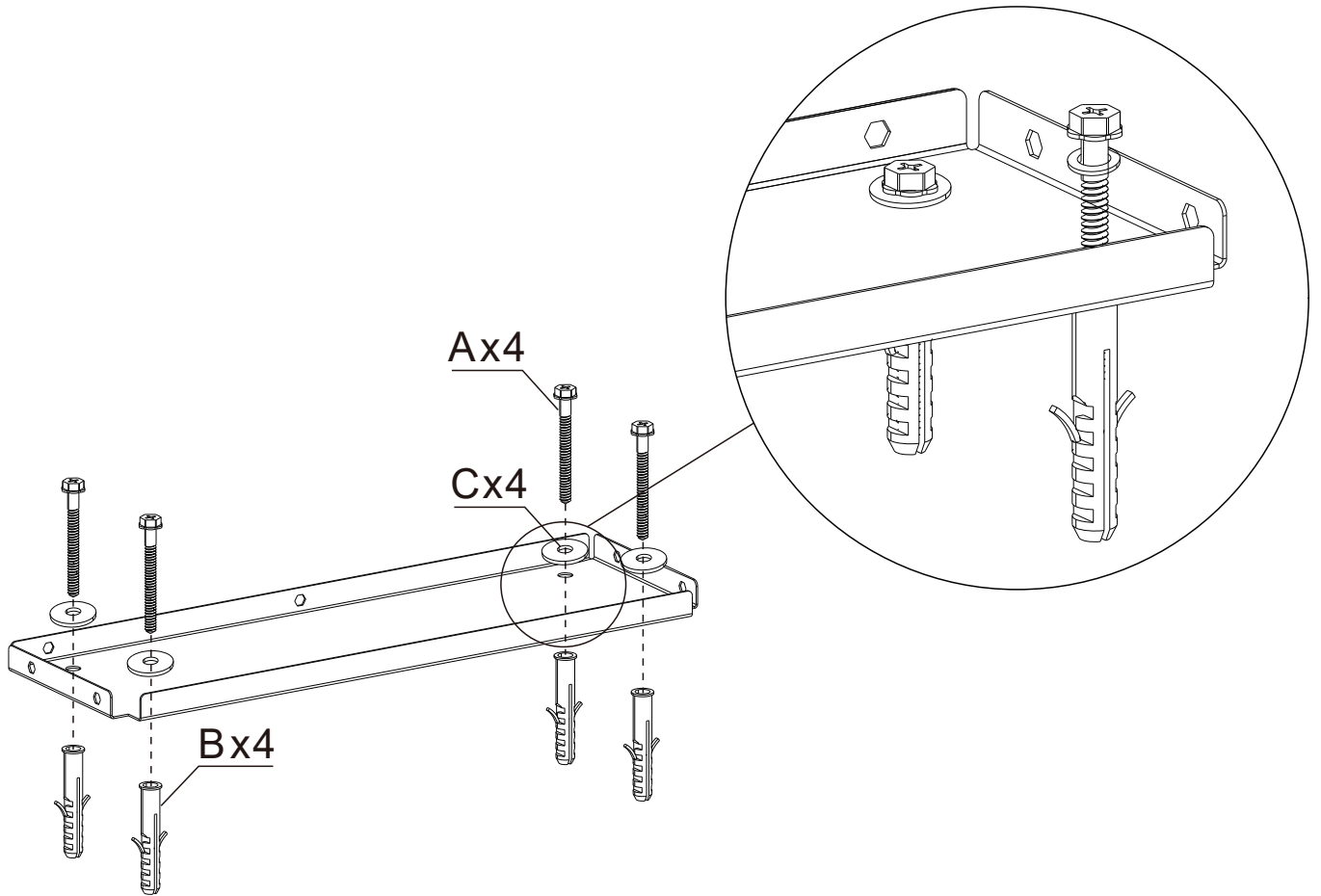
Code	Picture	Quantity
A		4
B		4
C		4
D		1

Instructions

STEP 1



STEP 2



STEP 3

