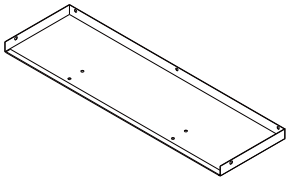
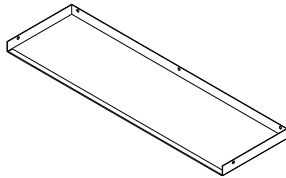


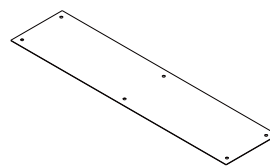
Ax1



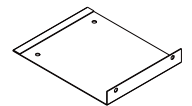
Bx1



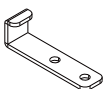
Cx1



Dx2



Ex2



Fx10



M4x6mm

Gx4



M4x8mm

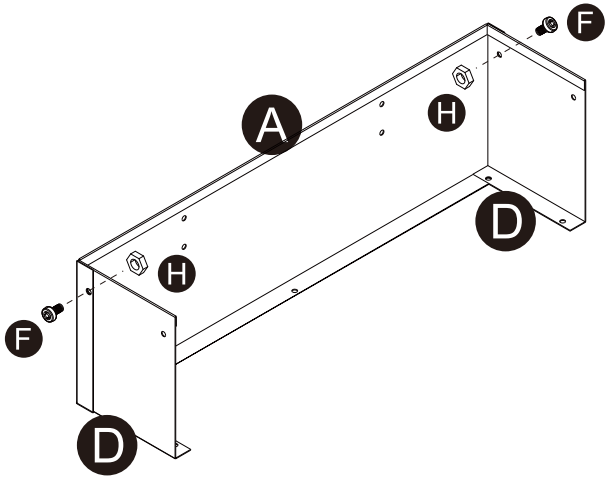
Hx14





Ix1

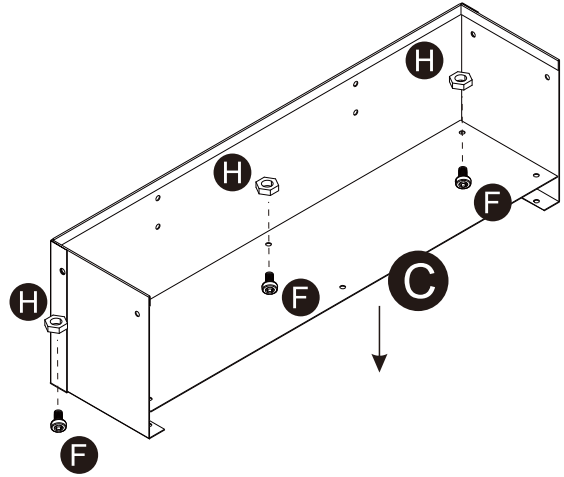


1



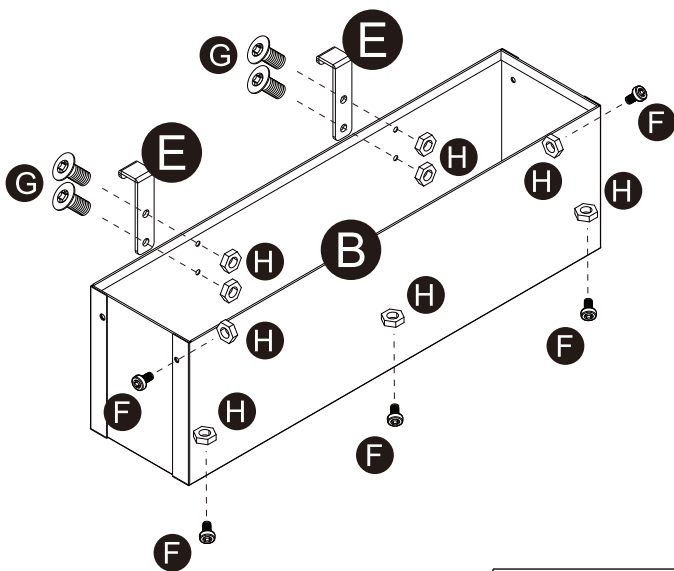
-  Fx2
-  Hx2

2



-  Fx3
-  Hx3

3



-  Fx5
-  Hx9
-  Gx4

4

