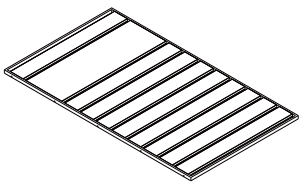
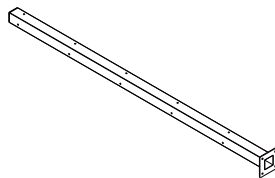


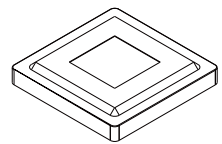
Ax3



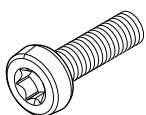
Bx4



Cx4

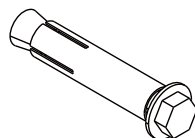


Dx30



M4x20mm

Ex16



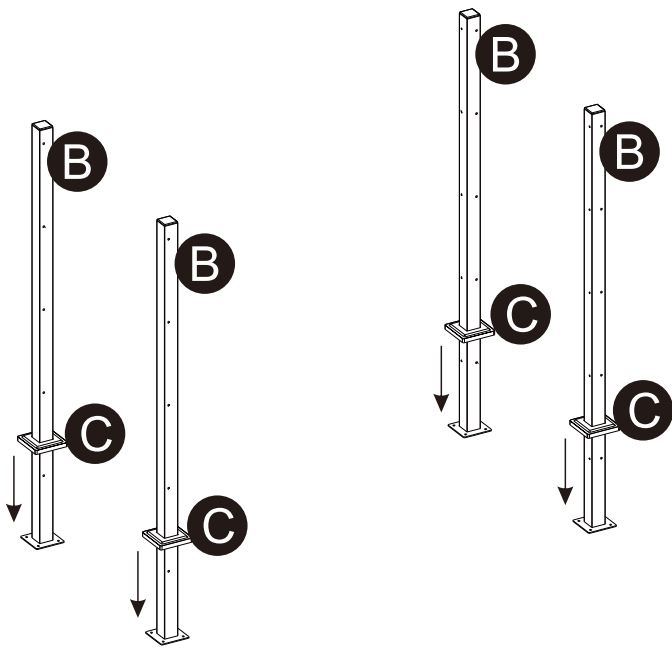
M6x50mm

Fx1

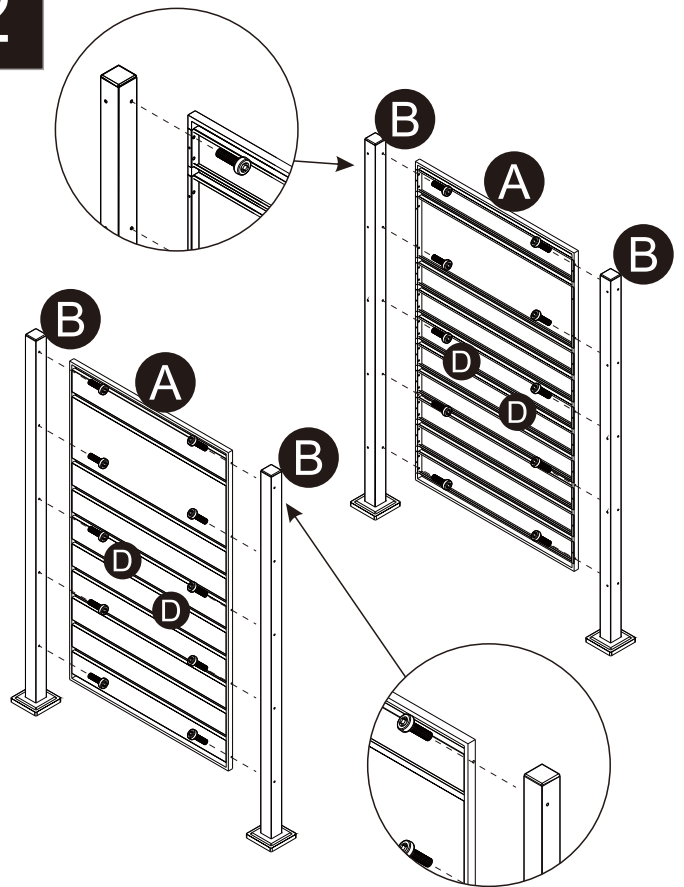


100x30mm

1

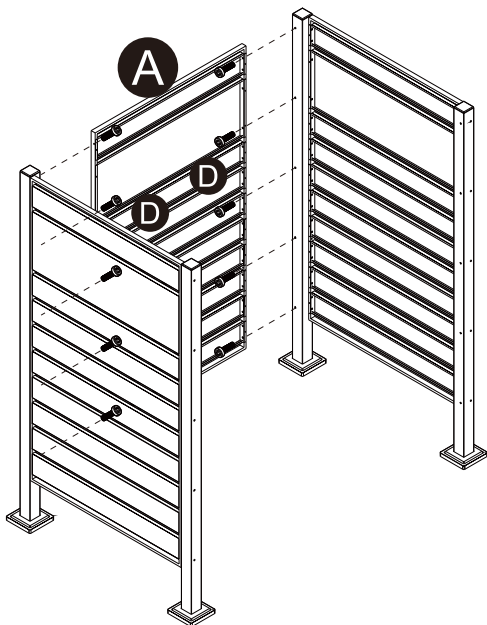


2



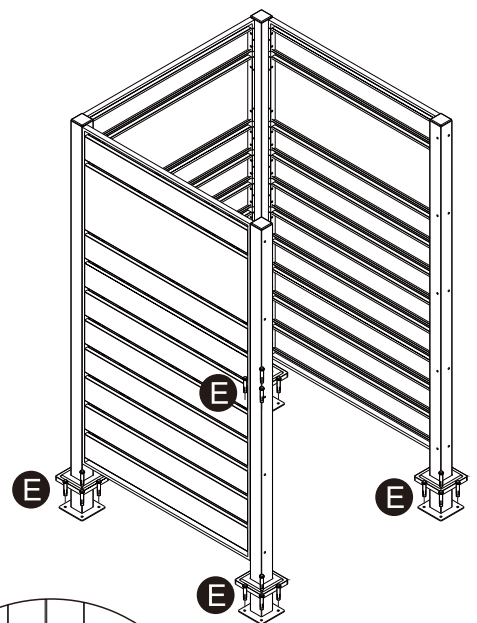
 Dx20

3



 Dx10

4



 Ex16