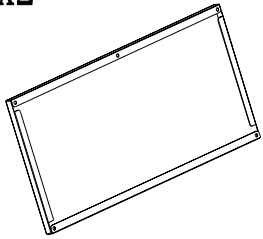


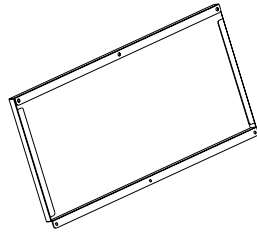
Ax2

①



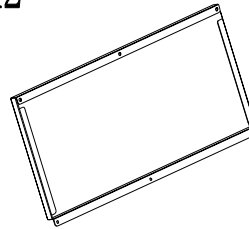
Bx2

①



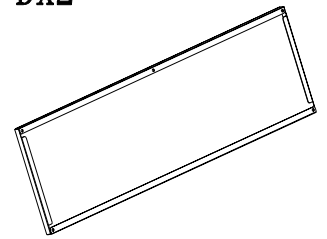
Cx2

①



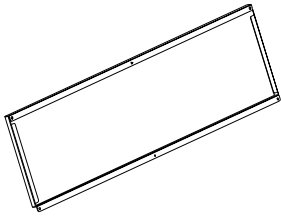
Dx2

① ②



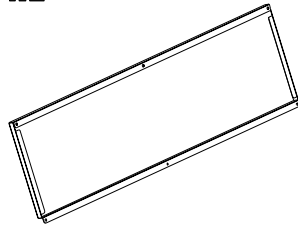
Ex2

① ②



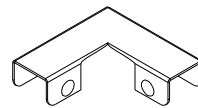
Fx2

① ②



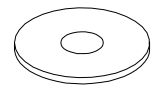
Jx4

②



Qx40

②



M4

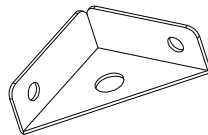
Ux4

②



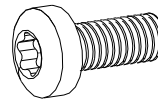
Wx4

②



Xx40

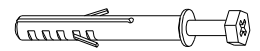
②



M4*14

Yx4

②



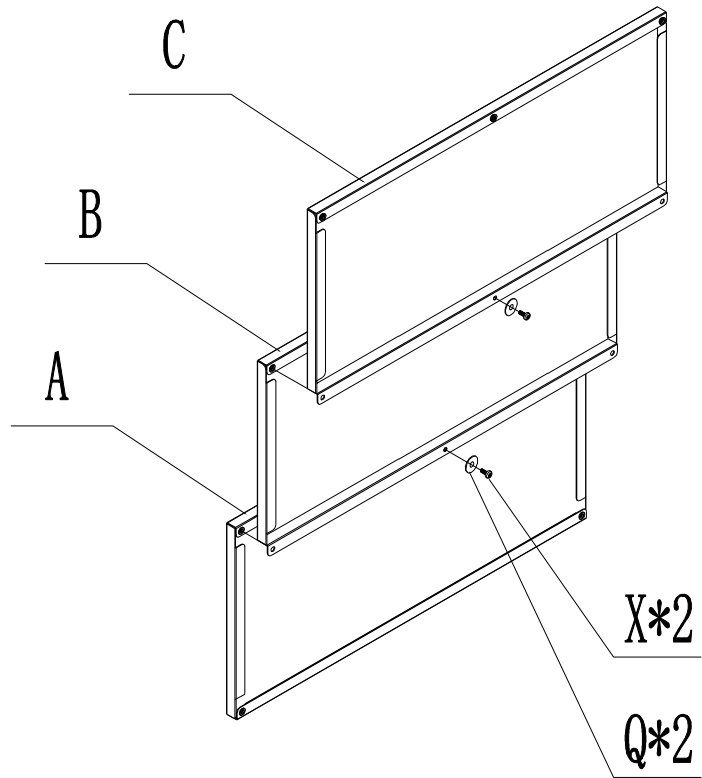
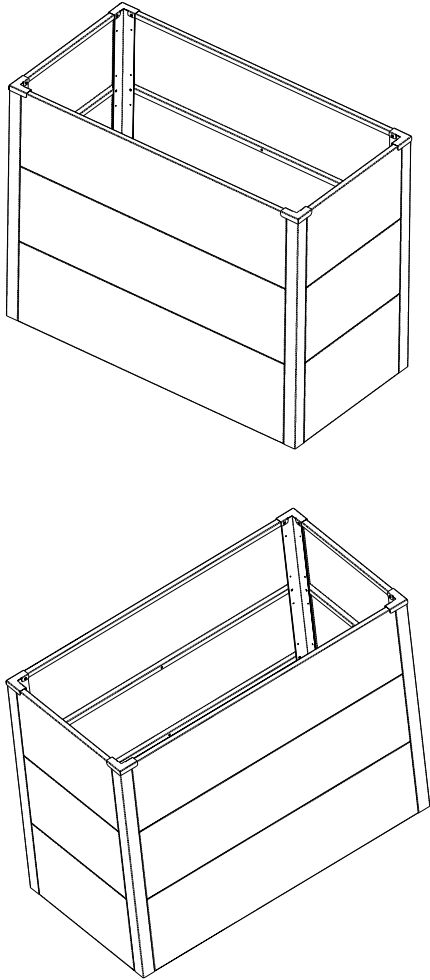
Zx1

②



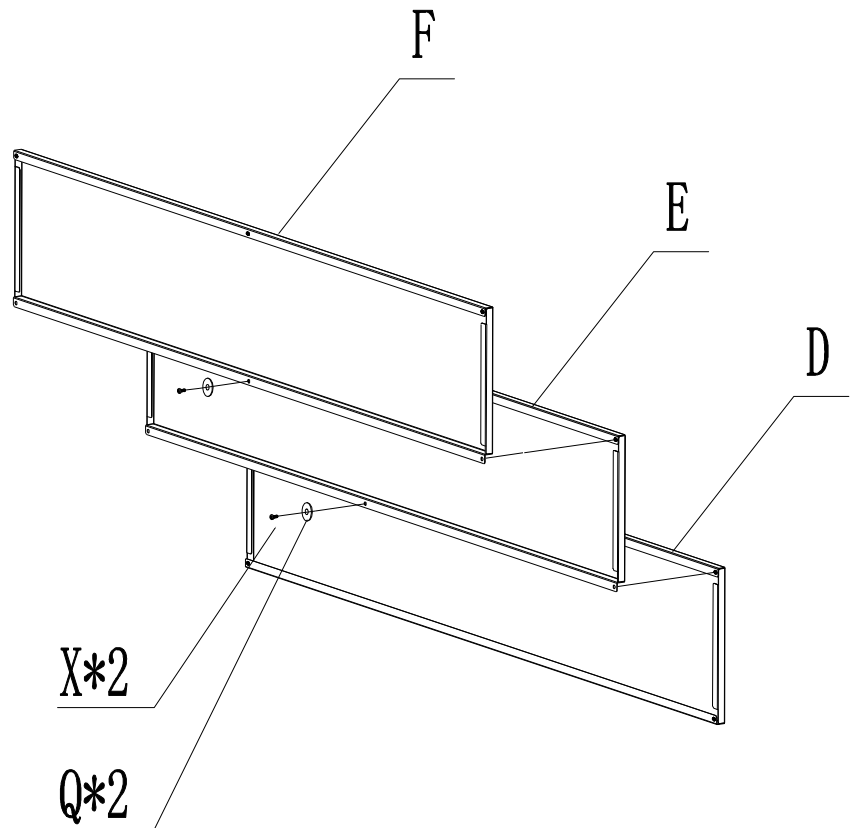
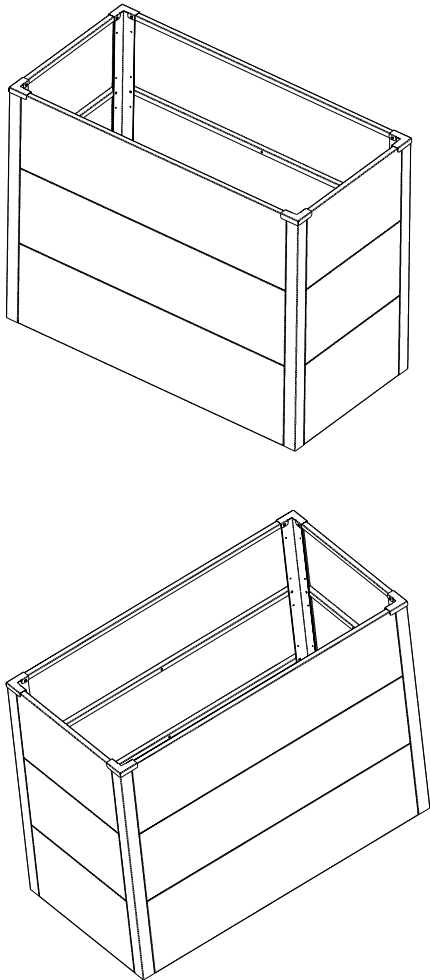
STEP1

X2



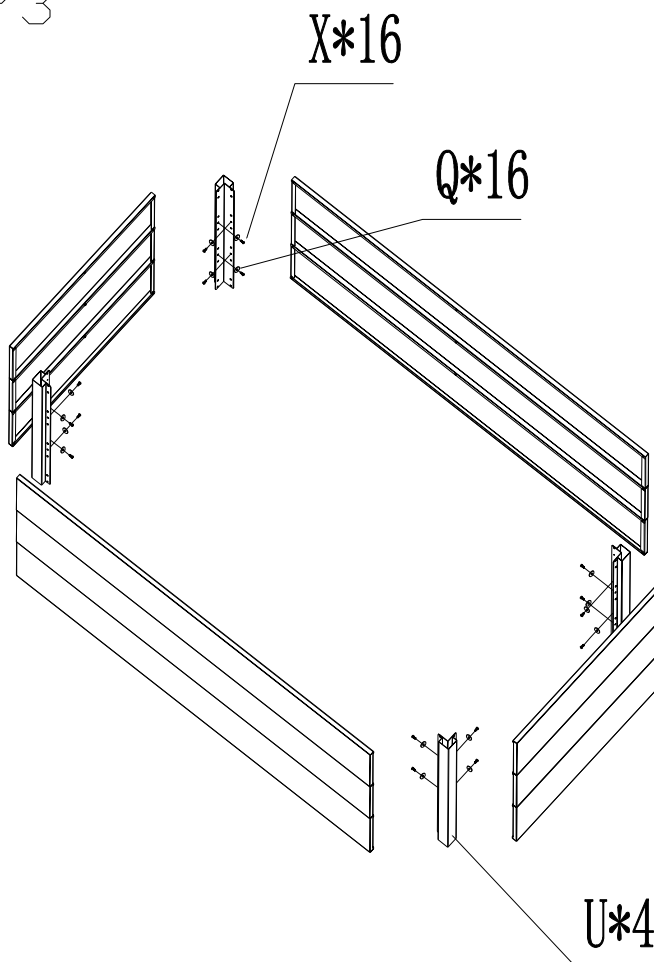
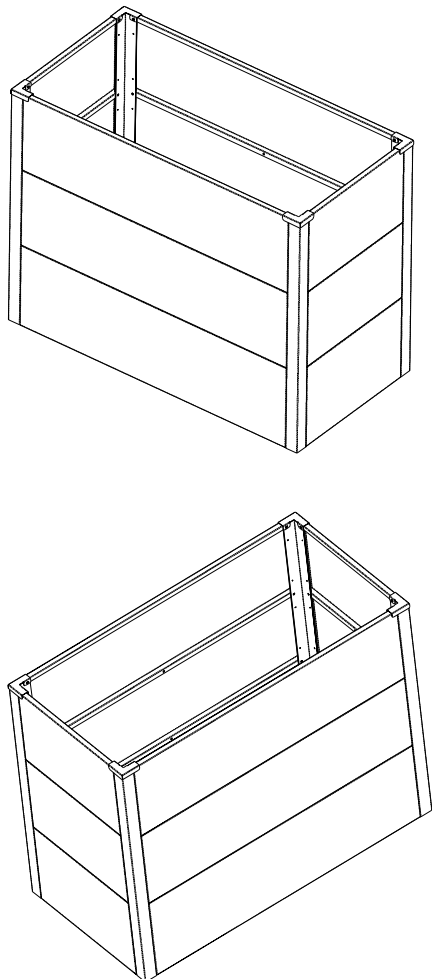
STEP2

X2



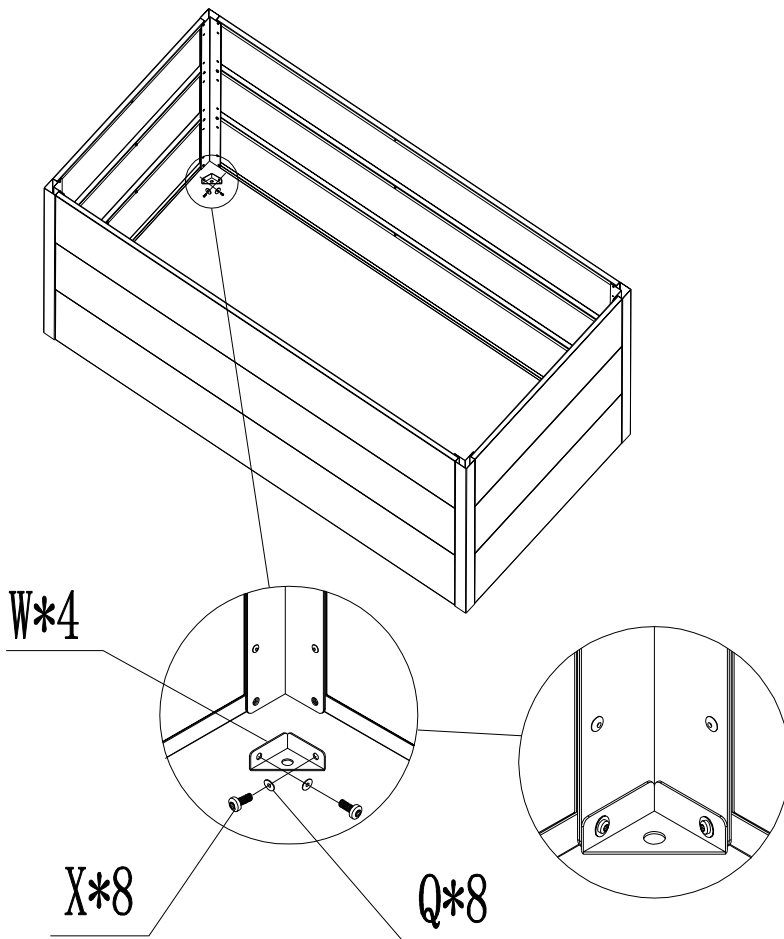
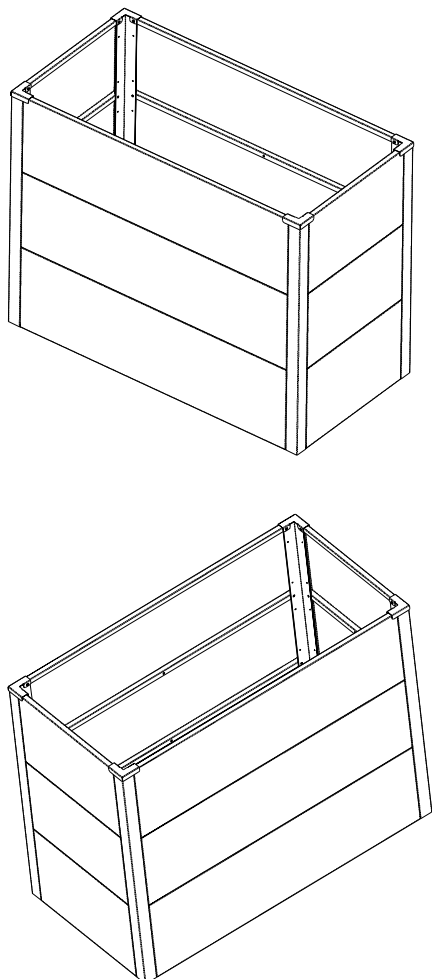
STEP 3

X1



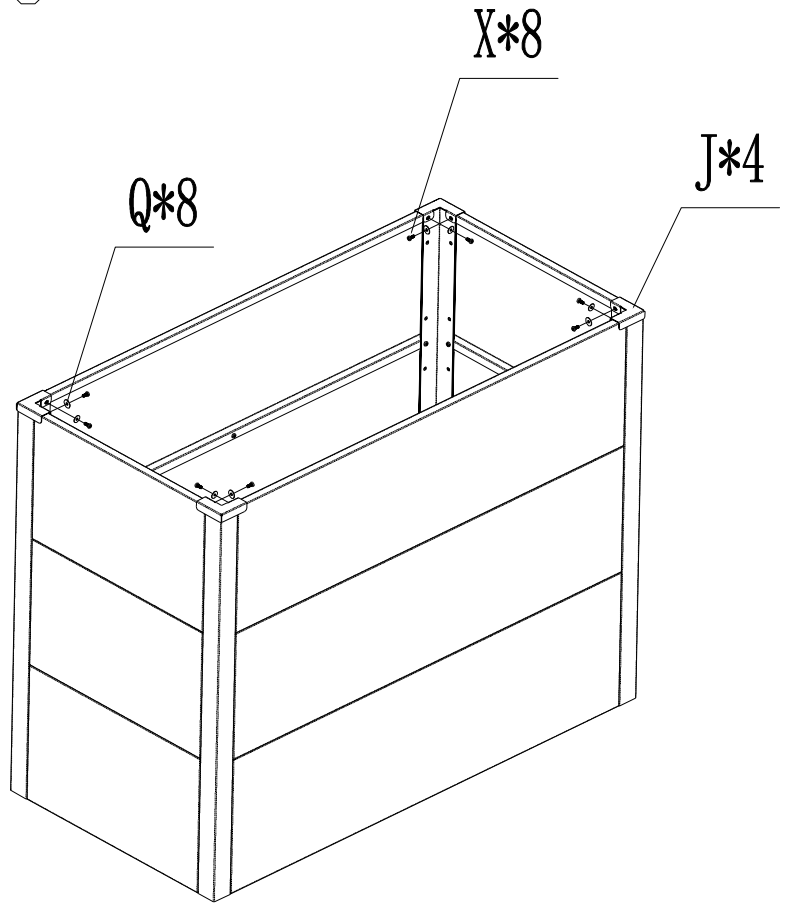
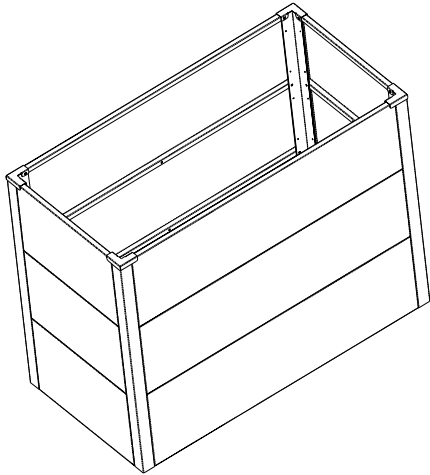
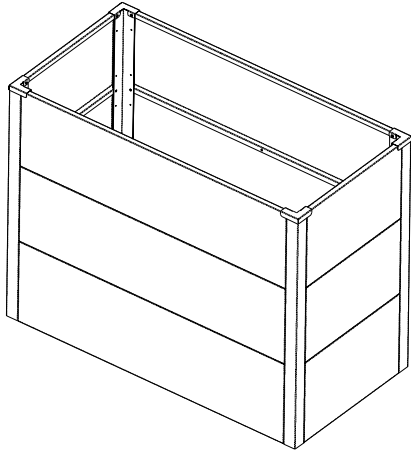
STEP 4

X1



STEP 5

X1



STEP 6

X1

