

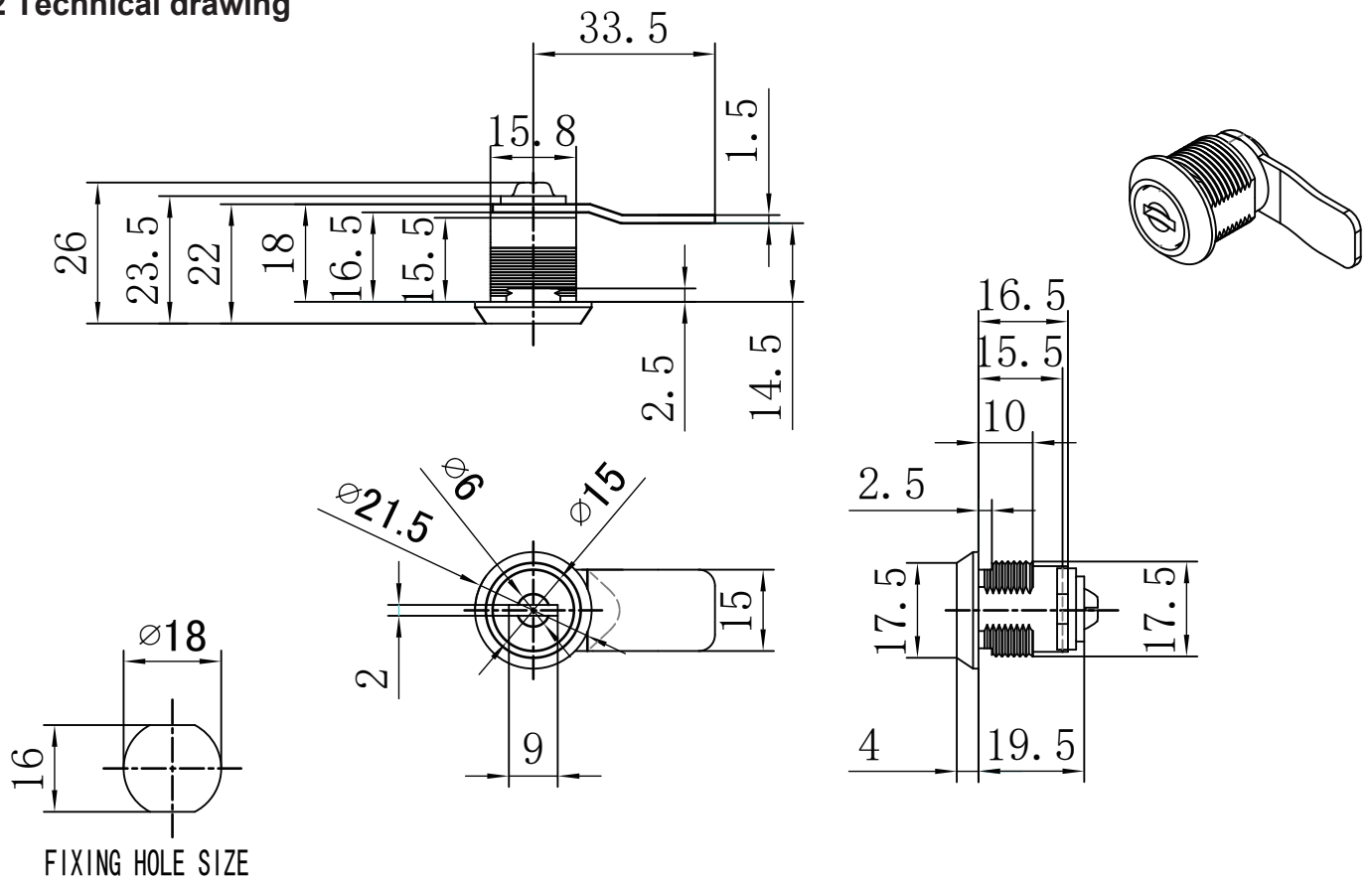
1 Assembly material

1x Lock

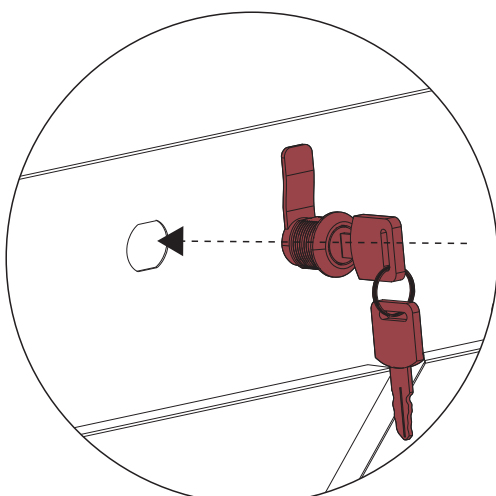
2x Keys

1x Clip

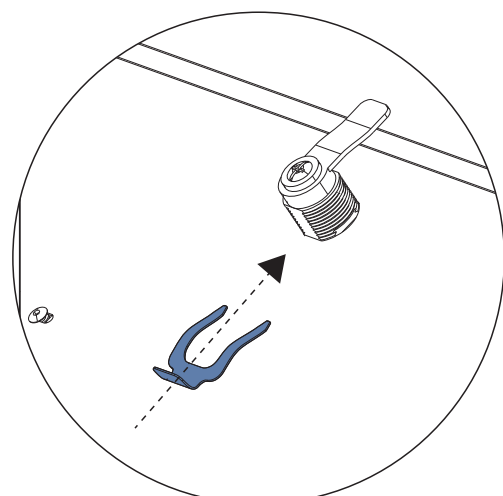
2 Technical drawing



3 Installation



step 1



step 2